




## Product/Process Change Notification

PCN#	Effective Date	Issue Date
2017-01-10C-01	2017/4/1	2017/1/10
PCN Classification	Product Category	
Minor	SOT-223 Package	
Subject		
Tapping Reel Size Revised		
Affected Product(s)		
Product list as attachment		
Description of Change(s)		
In order to improve Production efficiency for product		
Content of Change(s)		
Tapping Leader Size 7 inch (Quantity:1K ) to 13 inch (Quantity:2.5K )		
Impact(s)		
N/A		
Attachment(s)		
Package Information. Specification		

Approval		
Issue by	Alice Lai	e-mail: alice@secosgmbh.com
Development Engineer		Alice Lai
QA Manager		Peter Yang
General Manger		Mathew Liu

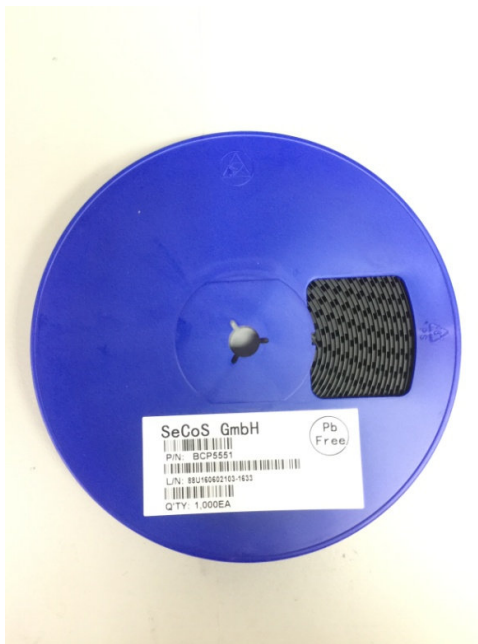
For more information, please contact us directly or visit our website <http://www.secosgmbh.com>

Affected Product List

2SA94	PZT2222A
BCP51	PZT2907A
BCP55	PZT3904
BCP56	PZT3906
BCP69	PZT772
CZT5551	PZT882J

Exterior comparison Chart

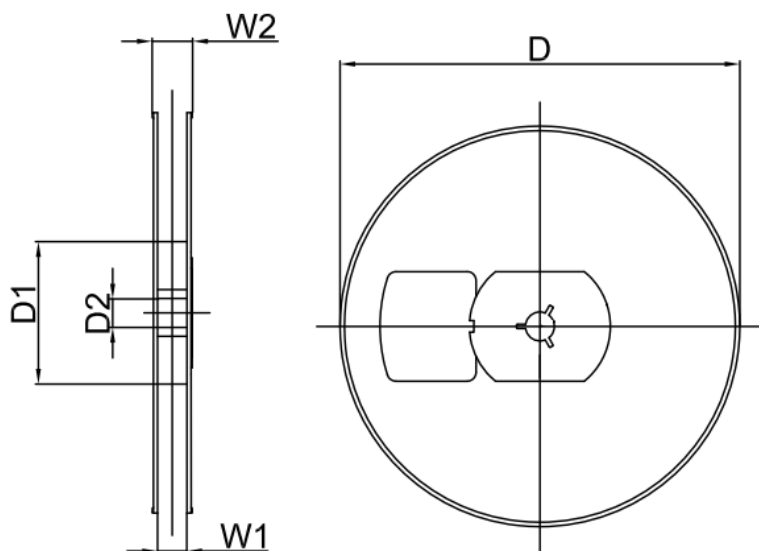
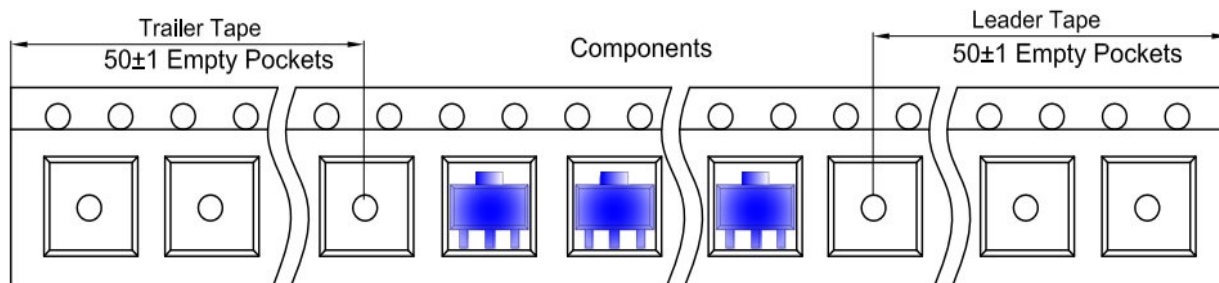
Original Tapping Reel



Modified Tapping Reel



## SOT-223



Reel Option	D	D1	D2	W1	W2
13 inch	330±1	100±1	13±0.2	12.4+4,-1	17+4,-1

Unit: MM

Reel	Reel Size	Box	Box Size (mm)	Carton	Carton Size (mm)
2,500 pcs	13 inch	5,000 pcs	360*340*55	40,000	370*370*360