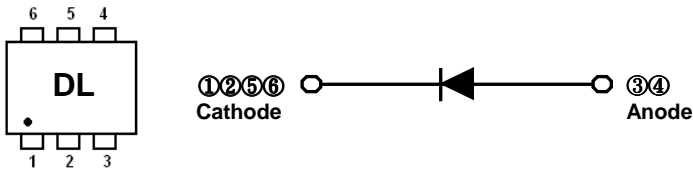


RoHS Compliant Product
A suffix of "-C" specifies halogen & lead-free

FEATURES

- High Current Capability
- Extremely Low Thermal Resistance
- For Surface Mount Application
- Higher Temp Soldering: 260°C for 10 Seconds at Terminals
- Super Low Forward Voltage

MARKING



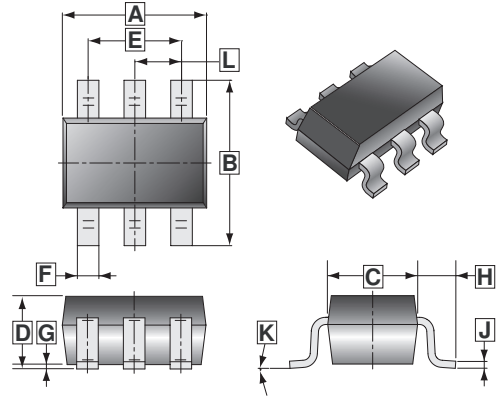
PACKAGE INFORMATION

Package	MPQ	Leader Size
SOT-26	3K	7 inch

ORDER INFORMATION

Part Number	Type
SCK240DL-C	Lead (Pb)-free and Halogen-free

SOT-26



REF.	Millimeter		REF.	Millimeter	
	Min.	Max.		Min.	Max.
A	2.70	3.10	G	0	0.10
B	2.60	3.00	H	0.60	REF.
C	1.40	1.80	J	0.12	REF.
D	1.30	MAX.	K	0°	10°
E	1.90	REF.	L	0.95	REF.
F	0.25	0.50			

MAXIMUM RATINGS AND ELECTRICAL CHARACTERISTICS

(Rating 25°C ambient temperature unless otherwise specified. Single phase half wave, 60Hz, resistive or inductive load.
For capacitive load, de-rate current by 20%)

Parameter	Symbol	Ratings	Unit
Maximum Recurrent Peak Reverse Voltage	V_{RRM}	40	V
Working Peak Reverse Voltage	V_{RWM}	40	V
Maximum DC Blocking Voltage	V_R	40	V
Average Forward Current	$I_{F(AV)}$	2	A
Peak Forward Current @8.3ms Half Sine	I_{FSM}	15	A
Typical Thermal Resistance ¹	$t \leq 10s$	85	°C/W
	Steady State	110	
Operating and Storage Temperature Range	T_J, T_{STG}	125, -55~150	°C

ELECTRICAL CHARACTERISTICS

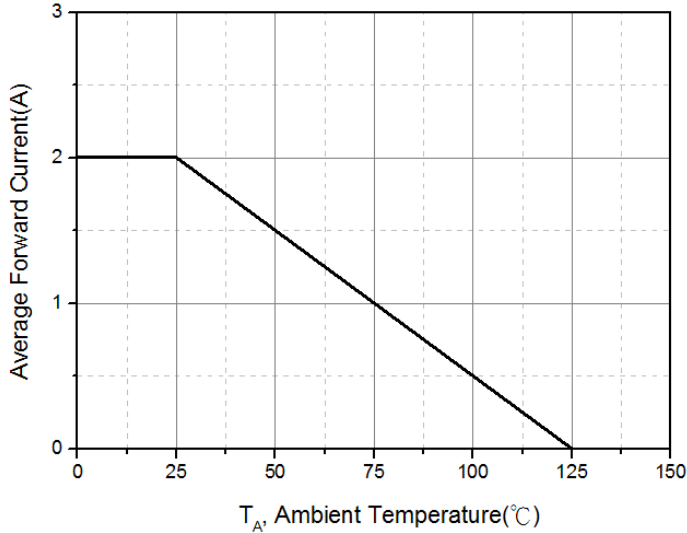
Parameter	Symbol	Typ.	Max.	Unit	Test Condition
Instantaneous Forward Voltage	V_F	0.26	-	V	$I_F=0.1A, T_J=25^\circ C$
		0.34	-		$I_F=0.5A, T_J=25^\circ C$
		0.4	0.45		$I_F=1A, T_J=25^\circ C$
		0.5	0.55		$I_F=2A, T_J=25^\circ C$
		0.49	-		$I_F=2A, T_J=100^\circ C$
Maximum DC Reverse Current at Rated DC Blocking Voltage ²	I_R	0.1	0.5	mA	$T_J=25^\circ C$
		3.5	10		$T_J=75^\circ C$
Junction Capacitance	C_J	78	-	pF	$f=1MHz, V_R=5V$

Notes:

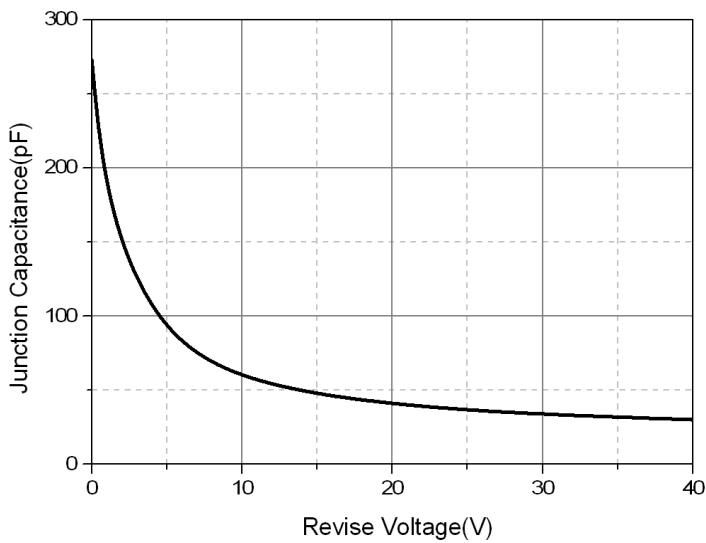
1. Surface mounted on a 1 inch² FR-4 board with 2OZ copper.
2. Pulse Test: Pulse Width=300µs, Duty Cycle=2%.

RATINGS AND CHARACTERISTIC CURVES

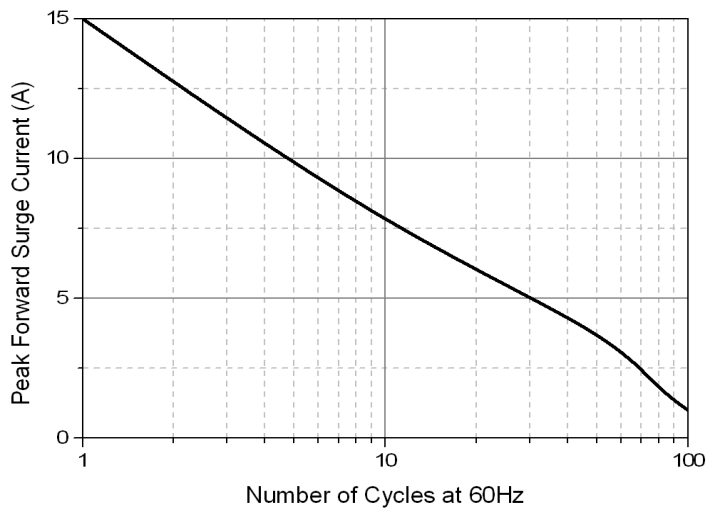
Typical Forward Current Derating Curve



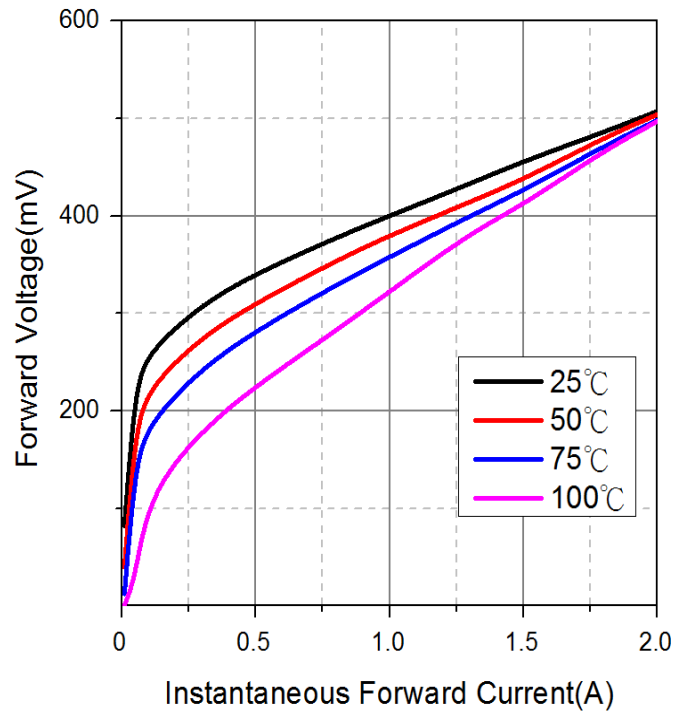
Typical Junction Capacitance



Maximum Non-Repetitive Forward Surge Current



Typical Forward Characteristic



Typical Reverse Characteristic

