

RoHS Compliant Product  
A suffix of "-C" specifies halogen & lead-free

## FEATURES

- Low Forward Voltage Drop
- Flat Lead SOD-323L Small Outline Plastic Package
- Surface Device Type Mounting
- Green EMC
- Matte Tin(Sn) Lead Finish
- Band Indicates Cathode

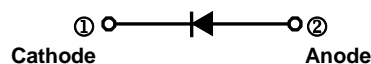
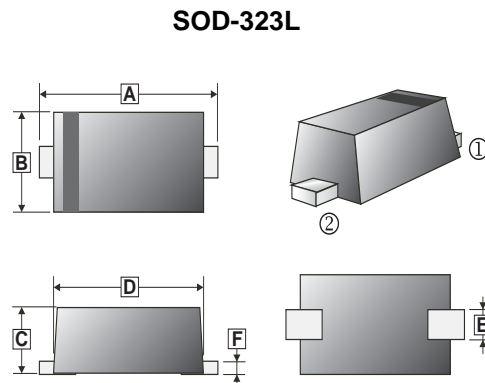
## MARKING CODE

**B5**

## PACKAGE INFORMATION

Package	MPQ	Leader Size
SOD-323L	3K	7 inch

REF.	Millimeter		REF.	Millimeter	
	Min.	Max.		Min.	Max.
A	2.30	2.70	D	1.60	1.80
B	1.15	1.35	E	0.25	0.40
C	0.80	1.00	F	0.05	0.25



## MAXIMUM RATINGS (T<sub>A</sub> = 25°C unless otherwise specified.)

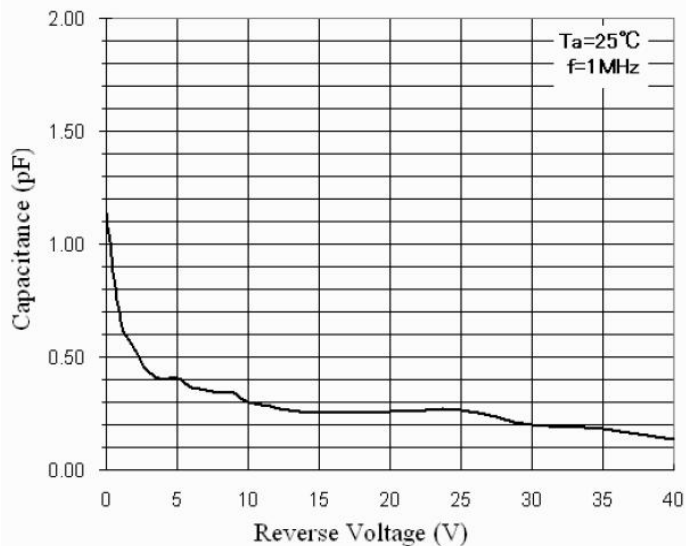
Parameter	Symbol	SCS751LV-40			Unit
		Min.	Typ.	Max.	
Maximum Recurrent Peak Reverse Voltage	V <sub>RRM</sub>	-	-	40	V
Maximum DC Blocking Voltage	V <sub>R</sub>	-	-	30	V
Average Forward Current	I <sub>F(AV)</sub>	-	-	30	mA
Peak Forward Current@8.3ms Single Half Sine-Wave Superimposed on Rated Load	I <sub>FSM</sub>	-	-	200	mA
Capacitance between terminals @ V <sub>R</sub> =1V, f=1MHz	C <sub>T</sub>	-	0.8	-	pF
Power Dissipation	P <sub>D</sub>	-	-	200	mW
Operating Temperature Range	T <sub>J</sub>	-	-	125	°C
Storage temperature	T <sub>STG</sub>	-55	-	125	°C

## ELECTRICAL CHARACTERISTICS (T<sub>A</sub> = 25°C unless otherwise specified.)

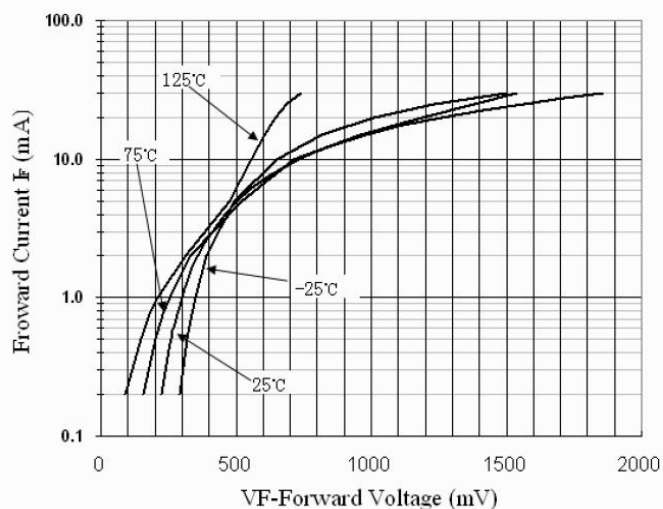
Parameter	Symbol	Min	Max	Unit	Test condition
Breakdown Voltage	B <sub>V</sub>	30	-	V	I <sub>R</sub> =10μA
Maximum DC Reverse Current	I <sub>R</sub>	-	0.5	μA	V <sub>R</sub> =30V
Maximum Instantaneous Forward Voltage	V <sub>F</sub>	-	0.37	V	I <sub>F</sub> =1mA

**CHARACTERISTIC CURVES**

**Total Capacitance**



**Forward Voltage vs Ambient Temperature**



**Reverse Current vs Reverse Voltage**

