

RoHS Compliant Product
A suffix of "-C" specifies halogen & lead-free

DESCRIPTION

Planar Schottky barrier diode with an integrated guard ring for stress protection.

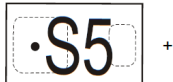
FEATURES

- Low Diode Capacitance
- Low Forward Voltage
- Guard Ring Protected
- High Breakdown Voltage

APPLICATION

- Ultra High-Speed Switching
- Voltage Clamping
- Mobile Communication, Digital (Still) Cameras, PDAs and PCMCIA Cards

MARKING



PACKAGE INFORMATION

| Package | MPQ | Leader Size |
|-----------|-----|-------------|
| WFBFP-02C | 10K | 7 inch |

ORDER INFORMATION

| Part Number | Type |
|-------------|---------------------------------|
| SCS70DSTN-C | Lead (Pb)-free and Halogen-free |

MAXIMUM RATINGS CHARACTERISTICS (T_A=25°C unless otherwise specified)

| Parameter | Symbol | Ratings | Unit |
|--|-----------------------------------|--------------|------|
| DC Reverse Voltage | V _R | 70 | V |
| Forward Continuous Current | I _F | 70 | mA |
| Peak Forward Surge Current @T _p <10ms | I _{FSM} | 100 | mA |
| Power Dissipation | P _D | 100 | mW |
| Thermal Resistance Junction-Ambient | R _{θJA} | 1000 | °C/W |
| Junction, Storage Temperature Range | T _J , T _{STG} | 125, -55~150 | °C |

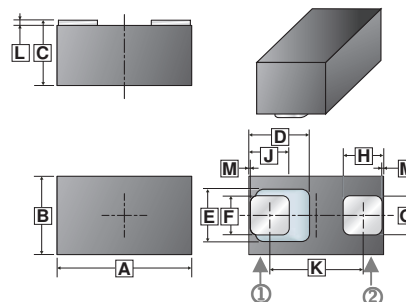
ELECTRICAL CHARACTERISTICS (T_A=25°C unless otherwise specified)

| Parameters | Symbol | Min. | Typ. | Max. | Unit | Test Conditions |
|------------------------------|----------------|------|------|------|------|---------------------------|
| Forward Voltage | V _F | - | - | 0.41 | V | I _F =1mA |
| | | - | - | 0.75 | | I _F =10mA |
| | | - | - | 1 | | I _F =15mA |
| Reverse Current ¹ | I _R | - | - | 100 | nA | V _R =50V |
| | | - | - | 500 | | V _R =70V |
| Diode capacitance | C _d | - | - | 2 | pF | V _R =0, f=1MHz |

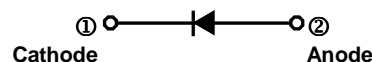
Note:

1. Pulse Test: Pulse width=300μs; Duty cycle=0.02.

WFBFP-02C



| REF. | Millimeter | | REF. | Millimeter | |
|------|------------|------|------|------------|-------|
| | Min. | Max. | | Min. | Max. |
| A | 0.95 | 1.05 | G | 0.25 | 0.35 |
| B | 0.55 | 0.65 | H | 0.25 | 0.35 |
| C | 0.44 | 0.55 | J | 0.275 | 0.47 |
| D | 0.470 REF. | | K | 0.555 | 0.725 |
| E | 0.420 REF. | | L | 0.010 | 0.100 |
| F | 0.27 | 0.37 | M | 0.030 REF. | |



CHARACTERISTICS CURVES

