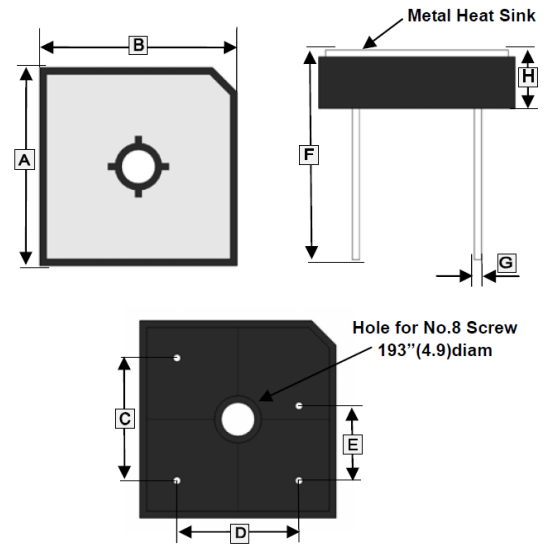


RoHS Compliant Product  
A suffix of "-C" specifies halogen-free

## FEATURES

- Surge overload 300 amperes peak
- Low forward voltage drop
- Mounting position : Any
- Materials used carries U/L recognition

## GBPCW



REF.	Millimeter		REF.	Millimeter	
	Min.	Max.		Min.	Max.
A	28.3	28.8	E	10.9	11.9
B	28.3	28.8	F	30.5 Min.	
C	17.6	18.6	G	7.5	8.5
D	17.6	18.6	H	0.97	1.07

## MAXIMUM RATINGS AND ELECTRICAL CHARACTERISTICS

(Rating at 25°C ambient temperature unless otherwise specified. Single phase, half wave, 60Hz, resistive or inductive load.  
For capacitive load, de-rate current by 20%)

Parameter	Symbol	Rating	Unit
Maximum Recurrent Peak Reverse Voltage	$V_{RRM}$	1000	V
Maximum RMS Bridge Input Voltage	$V_{RMS}$	700	V
Maximum Average Forward Rectified Output Current @ $T_C=55^\circ\text{C}$	$I_{(AV)}$	15	A
Peak Forward Surge Current 8.3ms single half sine-wave superimposed on rated load	$I_{FSM}$	300	A
Maximum Forward Voltage Drop Per Element@7.5A Peak	$V_F$	1.1	V
Maximum Reverse Current at Rated DC Blocking Voltage Per Element @ $T_J=25^\circ\text{C}$	$I_R$	10	$\mu\text{A}$
Operating Junction and Storage Temperature Range	$T_J, T_{STG}$	-55~150	$^\circ\text{C}$

**CHARACTERISTIC CURVES**

FIG.1-MAXIMUM FORWARD SURGE CURRENT

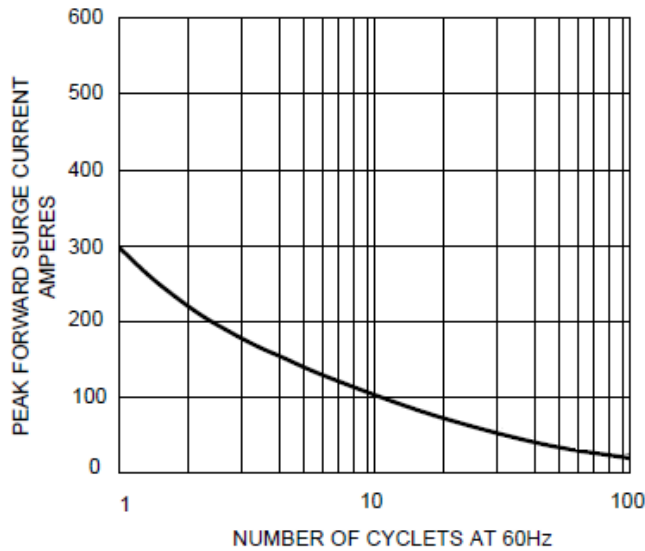


FIG.2- DERATING CURVE OUTPUT RECTIFIED CURRENT

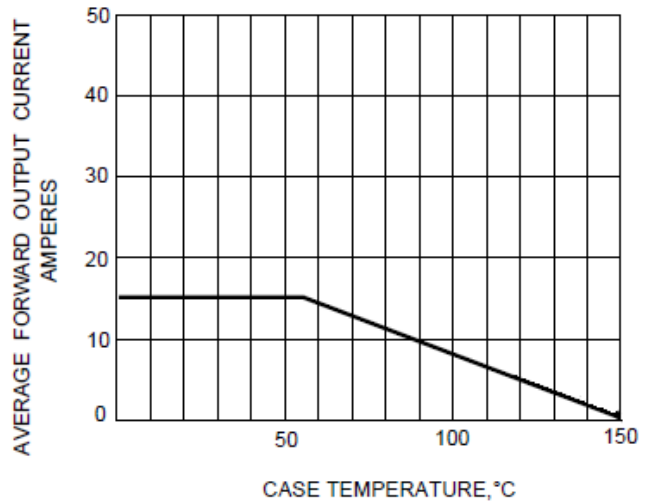


FIG.3-TYPICAL FORWARD CHARACTERISTICS

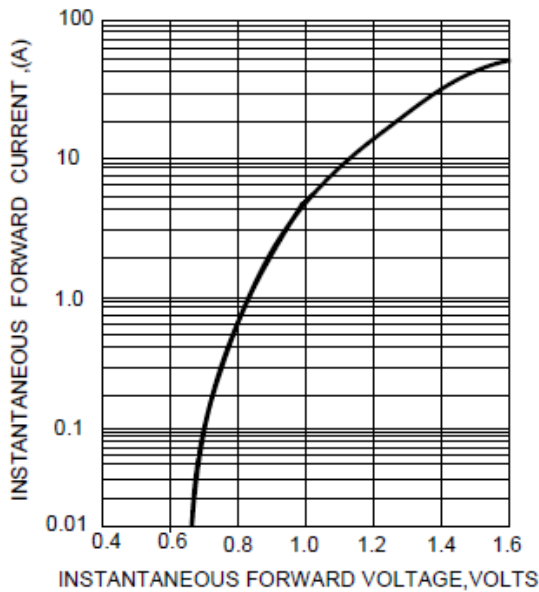


FIG.4-TYPICAL REVERSE CHARACTERISTICS

