

RoHS Compliant Product

A suffix of "-C" specifies halogen & lead-free

FEATURES

- Complementary to 2SC2883
- Small Flat Package
- Audio Frequency Amplifier Application.

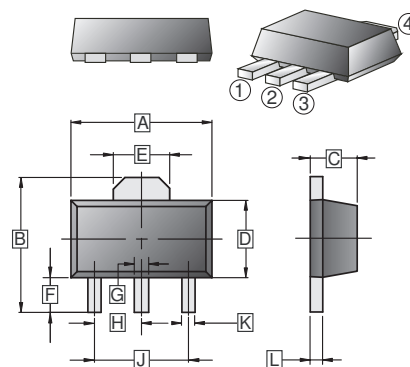
PACKAGE INFORMATION

Package	MPQ	Leader Size
SOT-89	1K	7 inch

ORDER INFORMATION

Part Number	Type
2SA1203-Y	Lead (Pb)-free
2SA1203-Y -C	Lead (Pb)-free and Halogen-free

SOT-89



REF.	Millimeter		REF.	Millimeter	
	Min.	Max.		Min.	Max.
A	4.40	4.60	G	0.40	0.58
B	3.94	4.25	H	1.50 TYP	
C	1.40	1.60	J	3.00 TYP	
D	2.25	2.60	K	0.32	0.52
E	1.55 TYP.		L	0.35	0.44
F	0.89	1.20			

ABSOLUTE MAXIMUM RATINGS ($T_A=25^\circ\text{C}$ unless otherwise specified)

Parameter	Symbol	Rating	Unit
Collector to Base Voltage	V_{CBO}	-30	V
Collector to Emitter Voltage	V_{CEO}	-30	V
Emitter to Base Voltage	V_{EBO}	-5	V
Continuous Collector Current	I_C	-1.5	A
Collector Power Dissipation	P_C	500	mW
Thermal Resistance from Junction to Ambient	$R_{\theta JA}$	250	$^\circ\text{C}/\text{W}$
Junction, Storage Temperature	T_J, T_{STG}	150, -55~150	$^\circ\text{C}$

ELECTRICAL CHARACTERISTICS ($T_A=25^\circ\text{C}$ unless otherwise specified)

Parameter	Symbol	Min.	Typ.	Max.	Unit	Test condition
Collector to Base Breakdown Voltage	$V_{(BR)CBO}$	-30	-	-	V	$I_C = -1\text{mA}, I_E = 0$
Collector to Emitter Breakdown Voltage	$V_{(BR)CEO}$	-30	-	-	V	$I_C = -10\text{mA}, I_B = 0$
Emitter to Base Breakdown Voltage	$V_{(BR)EBO}$	-5	-	-	V	$I_E = -1\text{mA}, I_C = 0$
Collector Cut-Off Current	I_{CBO}	-	-	-0.1	μA	$V_{CB} = -30\text{V}, I_E = 0$
Emitter Cut-Off Current	I_{EBO}	-	-	-0.1	μA	$V_{EB} = -5\text{V}, I_C = 0$
DC Current Gain	h_{FE}	160	-	320		$V_{CE} = -2\text{V}, I_C = -500\text{mA}$
Collector to Emitter Saturation Voltage	$V_{CE(sat)}$	-	-	-2	V	$I_C = -1.5\text{A}, I_B = -30\text{mA}$
Base to emitter Voltage	V_{BE}	-	-	-1	V	$V_{CE} = -2\text{V}, I_C = -500\text{mA}$
Transition Frequency	f_T	-	120	-	MHz	$V_{CE} = -2\text{V}, I_C = 500\text{mA}$
Collector Output Capacitance	C_{ob}	-	-	50	pF	$V_{CB} = -10\text{V}, I_E = 0, f = 1\text{MHz}$

CHARACTERISTIC CURVE

