

RoHS Compliant Product
A suffix of "-C" specifies halogen & lead-free

FEATURES

- Low Saturation Voltage
- High Speed Switching

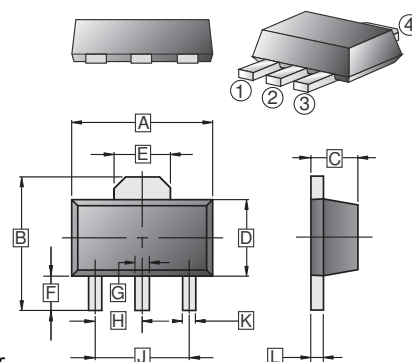
MARKING

A554

PACKAGE INFORMATION

Package	MPQ	Leader Size
SOT-89	1K	7 inch

SOT-89



REF.	Millimeter		REF.	Millimeter	
	Min.	Max.		Min.	Max.
A	4.40	4.60	G	0.40	0.58
B	3.94	4.25	H	1.50	TYP
C	1.40	1.60	J	3.00	TYP
D	2.30	2.60	K	0.32	0.52
E	1.50	1.70	L	0.35	0.44
F	0.89	1.20			

ABSOLUTE MAXIMUM RATINGS (T_A=25°C unless otherwise specified)

Parameter	Symbol	Ratings	Unit
Collector-Base Voltage	V _{CB0}	-100	V
Collector-Emitter Voltage	V _{CEO}	-100	V
Emitter-Base Voltage	V _{EBO}	-6	V
Collector Current	I _C	-2	A
Collector Power Dissipation	P _C	500	mW
Thermal Resistance from Junction to Ambient	R _{θJA}	250	°C/W
Junction & Storage temperature	T _J , T _{STG}	150, -55~150	°C

ELECTRICAL CHARACTERISTICS (T_A=25°C unless otherwise specified)

Parameter	Symbol	Min.	Typ.	Max.	Unit	Test Conditions
Collector-Base Breakdown Voltage	V _{(BR)CBO}	-100	-	-	V	I _C = -0.1mA, I _E =0
Collector-Emitter Breakdown Voltage	V _{(BR)CEO}	-100	-	-	V	I _C = -1mA, I _B =0
Emitter-Base Breakdown Voltage	V _{(BR)EBO}	-6	-	-	V	I _E = -0.1mA, I _C =0
Collector Cut-off Current	I _{CBO}	-	-	-1	μA	V _{CB} = -100V, I _E =0
Emitter Cut-off Current	I _{EBO}	-	-	-1	μA	V _{EB} = -4V, I _C =0
DC Current Gain	h _{FE}	120	-	270		V _{CE} = -3V, I _C = -100mA
Collector-Emitter Saturation Voltage	V _{CE(sat)}	-	-	-0.2	V	I _C = -0.5A, I _B = -25mA
		-	-	-0.3		I _C = -1A, I _B = -50mA
Transition Frequency	f _T	30	-	-	MHz	V _{CE} = -5V, I _C = -0.1A
Output Capacitance	C _{OB}	-	32	-	pF	V _{CB} = -10V, I _E =0, f=1MHz

TYPICAL CHARACTERISTIC CURVES

Static Characteristic

