

RoHS Compliant Product
A suffix of "-C" specifies halogen & lead-free

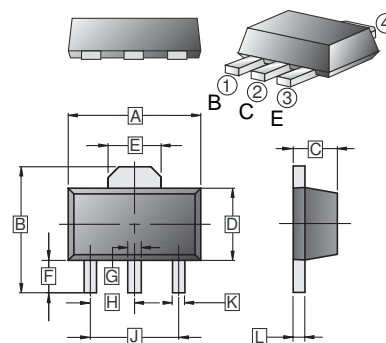
FEATURES

- High Breakdown Voltage and Current
- Excellent DC Current Gain Linearity
- Complementary to 2SB1189

CLASSIFICATION OF h_{FE}

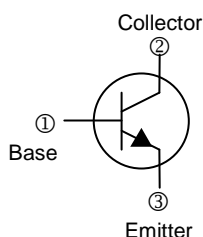
Product-Rank	2SD1767-P	2SD1767-Q	2SD1767-R
Range	82~180	120~270	180~390
Marking	DCP	DCQ	DCR

SOT-89



PACKAGE INFORMATION

Package	MPQ	Leader Size
SOT-89	1K	7 inch



REF.	Millimeter		REF.	Millimeter	
	Min.	Max.		Min.	Max.
A	4.40	4.60	G	0.40	0.58
B	3.94	4.25	H	1.50	TYP
C	1.40	1.60	J	3.00	TYP
D	2.25	2.60	K	0.32	0.52
E	1.50	1.85	L	0.35	0.44
F	0.89	1.20			

ABSOLUTE MAXIMUM RATINGS ($T_A=25^\circ\text{C}$ unless otherwise specified)

Parameter	Symbol	Ratings	Unit
Collector-Base Voltage	V_{CBO}	80	V
Collector-Emitter Voltage	V_{CEO}	80	V
Emitter-Base Voltage	V_{EBO}	5	V
Collector Current-Continuous	I_C	700	mA
Collector Power Dissipation	P_C	500	mW
Maximum Junction to Ambient	$R_{\theta JA}$	250	$^\circ\text{C} / \text{W}$
Junction & Storage Temperature	T_J, T_{STG}	150, -55~150	$^\circ\text{C}$

ELECTRICAL CHARACTERISTICS ($T_A=25^\circ\text{C}$ unless otherwise specified)

Parameter	Symbol	Min.	Typ.	Max.	Unit	Test conditions
Collector-Base Breakdown Voltage	$V_{(BR)CBO}$	80	-	-	V	$I_C=50\mu\text{A}, I_E=0$
Collector-Emitter Breakdown Voltage	$V_{(BR)CEO}$	80	-	-	V	$I_C=2\text{mA}, I_B=0$
Emitter-Base Breakdown Voltage	$V_{(BR)EBO}$	5	-	-	V	$I_E=50\mu\text{A}, I_C=0$
Collector Cut-Off Current	I_{CBO}	-	-	0.5	μA	$V_{CB}=50\text{V}, I_E=0$
Emitter Cut-Off Current	I_{EBO}	-	-	0.5	μA	$V_{EB}=4\text{V}, I_C=0$
DC Current Gain	h_{FE}	82	-	390		$V_{CE}=3\text{V}, I_C=100\text{mA}$
Collector-Emitter Saturation voltage	$V_{CE(sat)}$	-	-	0.4	V	$I_C=500\text{mA}, I_B=50\text{mA}$
Transition Frequency	f_T	-	120	-	MHz	$V_{CE}=10\text{V}, I_C=50\text{mA}, f=100\text{MHz}$
Collector Output Capacitance	C_{OB}	-	10	-	pF	$V_{CB}=10\text{V}, I_E=0, f=1\text{MHz}$