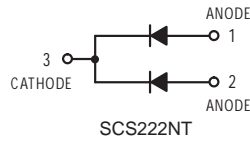


RoHS Compliant Product
A suffix of "-C" specifies halogen & lead-free

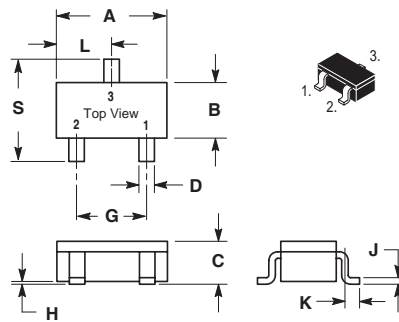
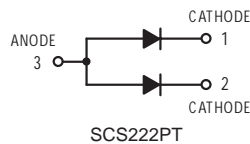
FEATURES

- Four types of packaging are available
- High speed. ($t_{rr}=1.5ns$ Typ.)
- Suitable for high packing density layout
- High reliability.

SCS222NT MARKING: N



SCS222PT MARKING: P



SOT-523		
Dim	Min	Max
A	1.50	1.70
B	0.78	0.82
C	0.80	0.82
D	0.28	0.32
G	0.90	1.10
H	0.00	0.10
J	0.10	0.20
K	0.35	0.41
L	0.49	0.51
S	1.50	1.70
All Dimension in mm		

MAXIMUM RATINGS AND ELECTRICAL CHARACTERISTICS

(Single diode, rating 25°C ambient temperature unless otherwise specified)

TYPE NUMBER	SYMBOL	VALUES	UNITS
Peak Reverse Voltage	V_{RM}	80	V
DC Reverse Voltage	V_R		
Forward Continuous Current	I_{FM}	300	mA
Average Forward Current	I_O	100	mA
Power Dissipation	P_D	150	mW
Junction & Storage Temperature	T_J, T_{STG}	150, -55~150	°C

ELECTRICAL CHARACTERISTICS

(Rating 25°C ambient temperature unless otherwise specified)

PARAMETERS	SYMBOL	TEST CONDITIONS	MIN	MAX	UNITS
Reverse Breakdown Voltage	$V_{(BR)}$	$I_R=100\mu A$	80		V
Reverse Voltage Leakage Current	I_R	$V_R=70V$	-	0.1	μA
Forward Voltage	V_F	$I_F=100mA$	-	1.2	V
Diode Capacitance	C_D	$V_R=0, f=1MHz$	-	3.5	pF
Reverse Recovery Time	t_{rr}	$V_R=6V, I_F=I_R=5mA$	-	4	nS

RATINGS AND CHARACTERISTIC CURVES

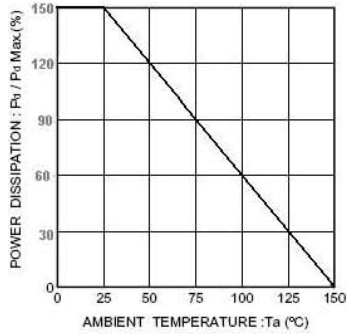


Fig.1 Power attenuation curve

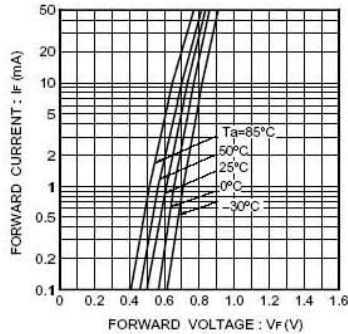


Fig.2 Forward characteristics (P Type)

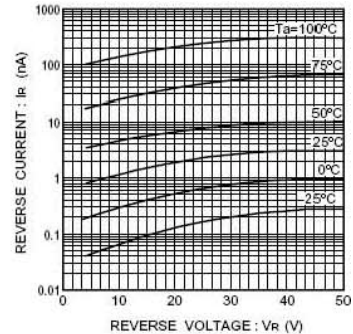


Fig.3 Reverse characteristics (P Type)

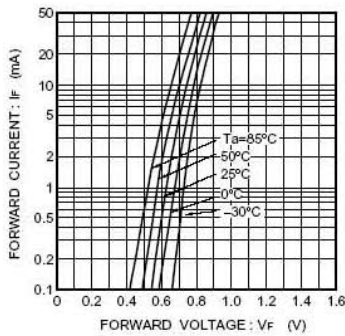


Fig.4 Forward characteristics (N Type)

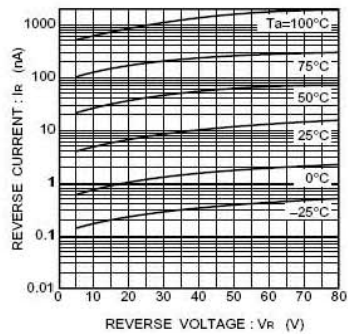


Fig.5 Reverse characteristics (N Type)

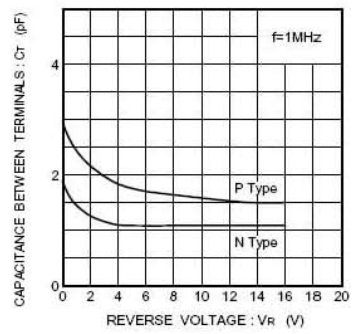


Fig.6 Capacitance between terminals characteristics

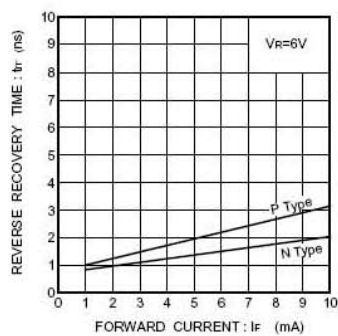


Fig.7 Reverse recovery time

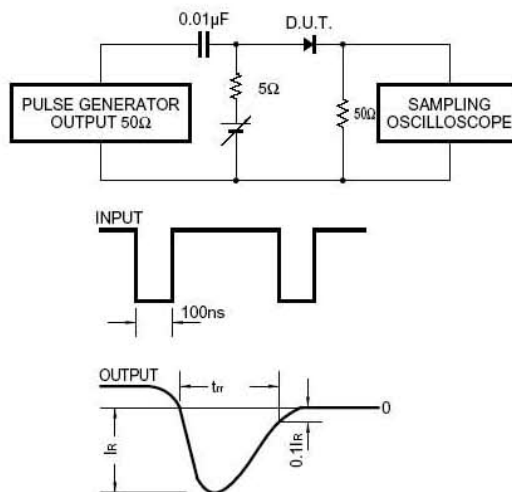


Fig.8 Reverse recovery time (t_r) measurement circuit