

RoHS Compliant Product  
A suffix of "-C" specifies halogen & lead-free

## FEATURES

- Small Surface Mounting Type
- Low  $I_R$
- High Reliability

## MARKING

D1

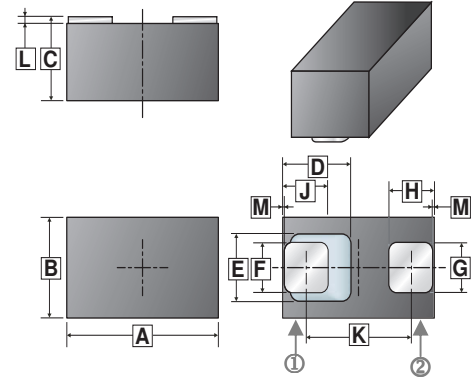
## PACKAGING INFORMATION

Package	MPQ	Leader Size
WBFBP-02C	10K	7 inch

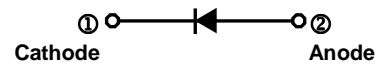
## ORDER INFORMATION

Part Number	Type
SCS540DSTN-C	Lead (Pb)-free and Halogen-free

### WBFBP-02C



REF.	Millimeter		REF.	Millimeter	
	Min.	Max.		Min.	Max.
A	0.95	1.05	G	0.25	0.35
B	0.55	0.65	H	0.25	0.35
C	0.44	0.55	J	0.275	0.47
D	0.470 REF.		K	0.555	0.725
E	0.420 REF.		L	0.010	0.100
F	0.27	0.37	M	0.030 REF.	



## ABSOLUTE MAXIMUM RATINGS ( $T_A=25^\circ\text{C}$ unless otherwise specified)

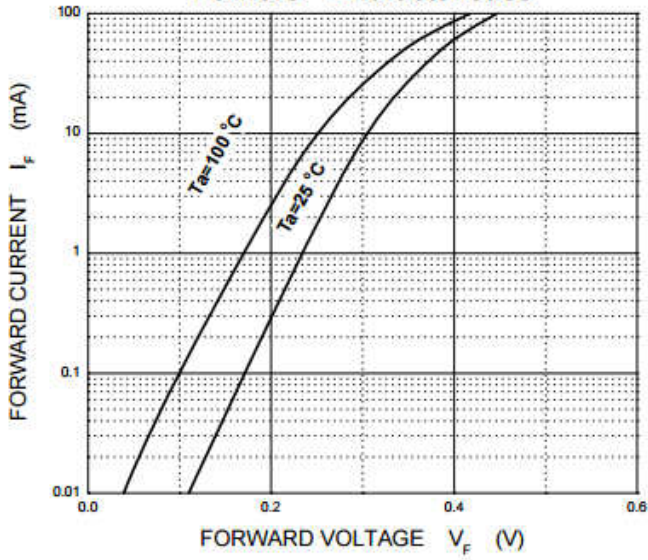
Parameter	Symbol	Ratings	Unit
DC Reverse Voltage	$V_R$	40	V
Mean Rectifying Current	$I_o$	0.2	A
Non-Repetitive Peak Forward Surge Current @ $t=8.3\text{ms}$	$I_{FSM}$	1	A
Power Dissipation	$P_D$	100	mW
Thermal Resistance, Junction-Ambient	$R_{\theta JA}$	1000	$^\circ\text{C/W}$
Junction and Storage Temperature Range	$T_J, T_{STG}$	125, -55~150	$^\circ\text{C}$

## ELECTRICAL CHARACTERISTICS ( $T_A=25^\circ\text{C}$ unless otherwise specified)

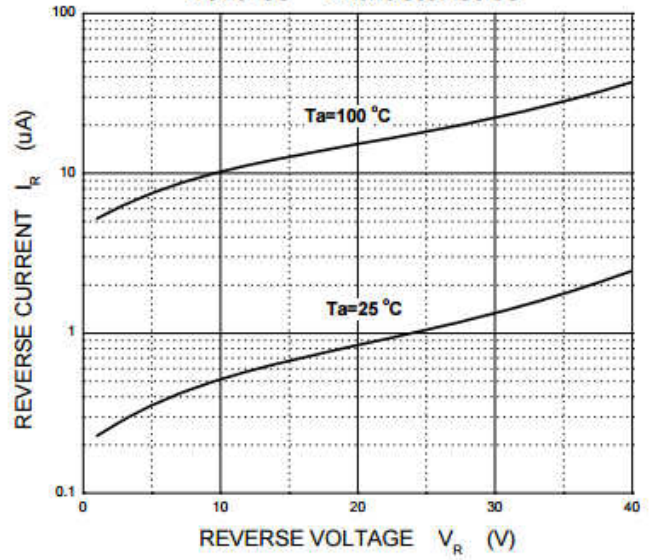
Parameter	Symbol	Min.	Typ.	Max.	Unit	Test Conditions
Forward Voltage	$V_F$	-	-	0.39	V	$I_F=10\text{mA}$
		-	-	0.55		$I_F=100\text{mA}$
Reverse Current	$I_R$	-	-	1	$\mu\text{A}$	$V_R=10\text{V}$
		-	-	10		$V_R=40\text{V}$

**TYPICAL CHARACTERISTIC CURVES**

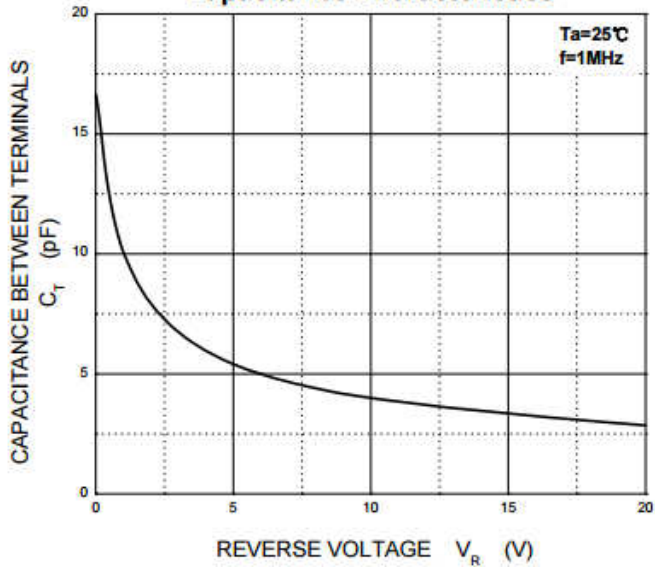
**Forward Characteristics**



**Reverse Characteristics**



**Capacitance Characteristics**



**Power Derating Curve**

