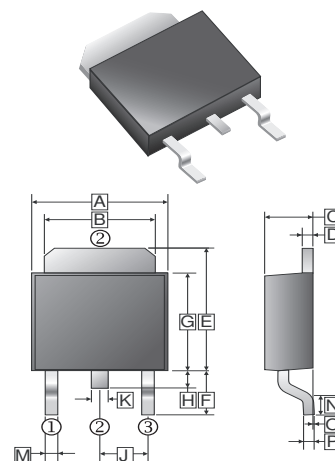


RoHS Compliant Product  
A suffix of "-C" specifies halogen and lead-free

## DESCRIPTION

The SJ78M06 series of three-terminal positive regulators are available in the TO-252 package and with 6V fixed output voltage, making it useful in a wide range of applications. This regulator can provide local on-card regulation, eliminating the distribution problems associated with single point regulation. It employs internal current limiting, thermal shut-down and safe operating area protection, making it essentially indestructible. If adequate heat sinking is provided, they can deliver over 0.5A output current. Although designed primarily as fixed voltage regulators, these devices can be used with external components to obtain adjustable voltages and currents.

## TO-252

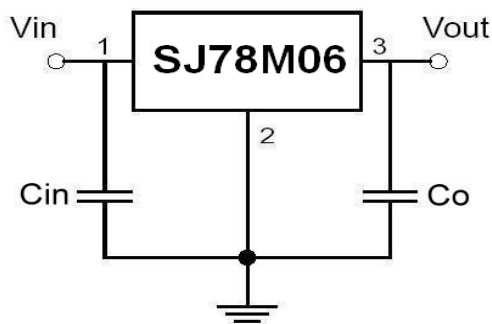


## PACKAGE INFORMATION

Package	MPQ	Leader Size
TO-252	2.5K	13 inch

REF.	Millimeter		REF.	Millimeter	
	Min.	Max.		Min.	Max.
A	6.4	6.8	J	2.30	REF.
B	5.20	5.50	K	0.70	0.90
C	2.20	2.40	M	0.50	1.1
D	0.45	0.58	N	0.9	1.6
E	6.8	7.3	O	0	0.15
F	2.40	3.0	P	0.43	0.58
G	5.40	6.2			
H	0.8	1.20			

## TYPICAL APPLICATION



## ABSOLUTE MAXIMUM RATINGS

Parameter	Symbol	Ratings	Unit
Input Voltage	$V_{IN}$	25	V
Operating Temperature Range	$T_J$	0~125	°C
Storage Temperature Range	$T_{STG}$	-65~150	°C

## ELECTRICAL CHARACTERISTICS

(Refer to the test circuits,  $T_A=25^{\circ}\text{C}$ ,  $I_O=350\text{mA}$ ,  $V_{IN}=11\text{V}$ ,  $C_{IN}=0.33\mu\text{F}$ ,  $C_O=0.1\mu\text{F}$  unless otherwise specified)

Symbol	Test Conditions	Min	Typ	Max	Unit
$V_O$		5.75	6	6.25	V
	$8\text{V} \leq V_{IN} \leq 21\text{V}$ , $5\text{mA} \leq I_O \leq 350\text{mA}$ , $P_O \leq 15\text{W}$	5.7	6	6.3	
$\Delta V_O(\text{Line Regulation})$	$8\text{V} \leq V_{IN} \leq 25\text{V}$ , $I_O=200\text{mA}$	-	5	100	mV
	$9\text{V} \leq V_{IN} \leq 25\text{V}$ , $I_O=200\text{mA}$	-	1.5	50	
$\Delta V_O(\text{Load Regulation})$	$5\text{mA} \leq I_O \leq 500\text{mA}$	-	18	120	mV
	$5\text{mA} \leq I_O \leq 200\text{mA}$	-	10	60	
$I_Q$		-	4.3	6	mA
$\Delta I_Q$	$5\text{mA} \leq I_O \leq 350\text{mA}$ , $T_A=0^{\circ}\text{C} \sim 125^{\circ}\text{C}$	-	-	0.5	mA
	$9\text{V} \leq V_{IN} \leq 25\text{V}$ , $I_O=200\text{mA}$ , $T_A=0^{\circ}\text{C} \sim 125^{\circ}\text{C}$	-	-	0.8	
$V_N$	$10\text{Hz} \leq f \leq 100\text{KHz}$	-	45	-	$\mu\text{V}$
RR	$9\text{V} \leq V_{IN} \leq 19\text{V}$ , $f=120\text{Hz}$ , $I_O=300\text{mA}$ , $T_A=0^{\circ}\text{C} \sim 125^{\circ}\text{C}$	59	80	-	dB
$V_D$	$I_O=350\text{mA}$	-	2	-	V
$I_{SC}$	$V_{IN}=11\text{V}$	-	270	-	mA
$I_{PK}$		-	500	-	mA