

RoHS Compliant Product

FEATURES

- Thin Single In-line Package
- High Surge Current Capability
- Solder dip 275°C max. 7s, per JESD22-B106

APPLICATIONS

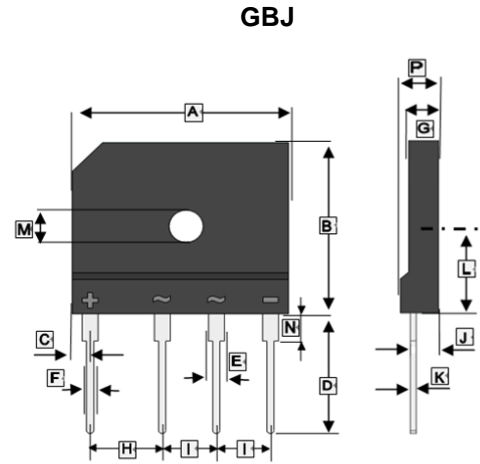
General purpose use in AC/DC bridge full wave rectification for switching power supply, home appliances, office equipment, industrial automation applications.

MECHANICAL DATA

- Package: GBJ
- Molding Compound Meets UL 94V-0 Flammability Rating
- Terminals: Tin Plated Leads, Solderable per J-STD-002 and JESD22-B102
- Polarity: As Marked on Body

ORDER INFORMATION

Part Number	Type
GBJL2508	Lead (Pb)-free and Halogen-free



REF.	Millimeter		REF.	Millimeter	
	Min.	Max.		Min.	Max.
A	29.7	30.3	I	7.3	7.7
B	19.7	20.3	J	2.4	3.7
C	2.3	2.7	K	0.5	0.8
D	16	18	L	10.8	11.2
E	2.0	2.4	M	φ 3.25 TYP.	
F	0.9	1.1	N	3.8	4.2
G	3.4	3.8	P	4.4	4.8
H	9	11			

MAXIMUM RATINGS AND ELECTRICAL CHARACTERISTICS

(Rating 25°C ambient temperature unless otherwise specified. Single phase half wave, 60Hz, resistive or inductive load.
For capacitive load, de-rate current by 20%.)

Parameter	Symbol	Rating	Unit	
Repetitive Peak Reverse Voltage	V_{RRM}	800	V	
Average Rectified Output Current @60Hz sine wave, R-load	With heatsink @ $T_C=87^\circ\text{C}$	25	A	
	Without heatsink @ $T_A=25^\circ\text{C}$	3.5		
Surge(Non-Repetitive)Forward Current @60Hz Half Sine Wave, 1 Cycle, $T_J=25^\circ\text{C}$	I_{FSM}	420	A	
Rating for Fusing @ $t<8.3\text{ms}$	I^2t	730	A^2S	
Maximum Instantaneous Forward Voltage Drop Per Diode @ $I_{FM}=12.5\text{A}$	V_F	0.92	V	
Maximum DC Reverse Current @Rated DC Blocking Voltage Per Diode, $V_{RM}=V_{RRM}$	I_{RRM}	5	μA	
Dielectric Strength @Terminals to case, AC 1 minute	V_{dis}	2.5	KV	
Mounting Torque @Recommend torque: 5Kg·cm	T_{or}	8	Kg·cm	
Typical Thermal Resistance	Without heatsink	$R_{\theta JA}$	22	$^\circ\text{C}/\text{W}$
	With heatsink	$R_{\theta JC}$	1.5	
Operating & Storage Temperature Range	T_J, T_{STG}	-55~150	$^\circ\text{C}$	

RATINGS AND CHARACTERISTIC CURVES

